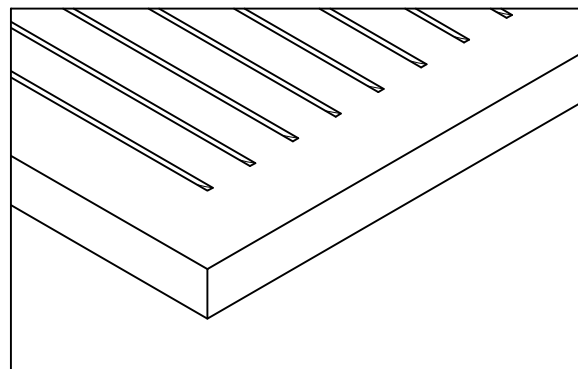
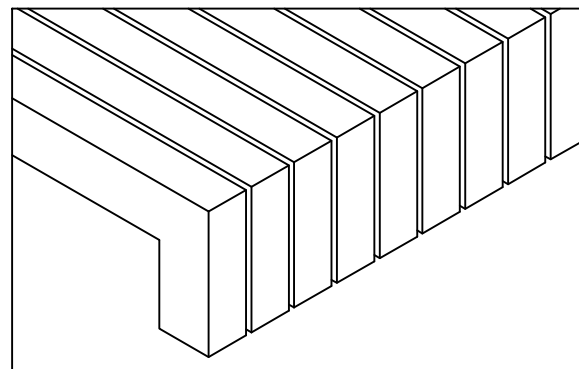


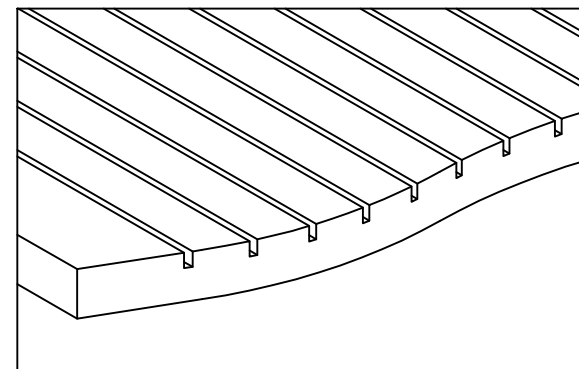
EDGE BANDED  
WITH GROOVES RUNNING  
OFF PANEL ENDS



EDGE BANDED  
WITH GROOVES HELD BACK  
FROM PANEL ENDS

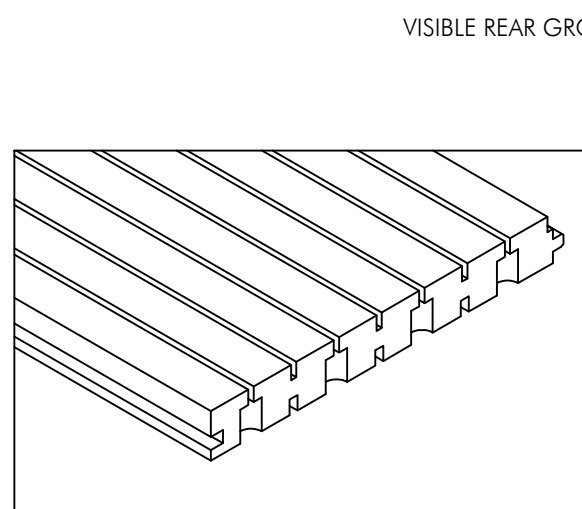
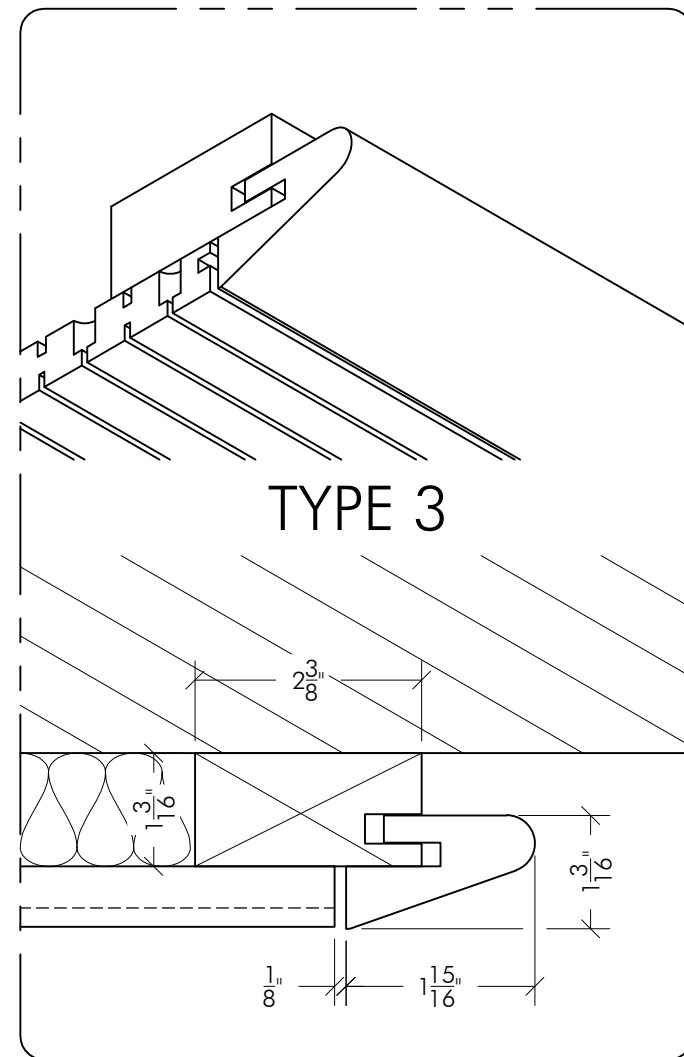
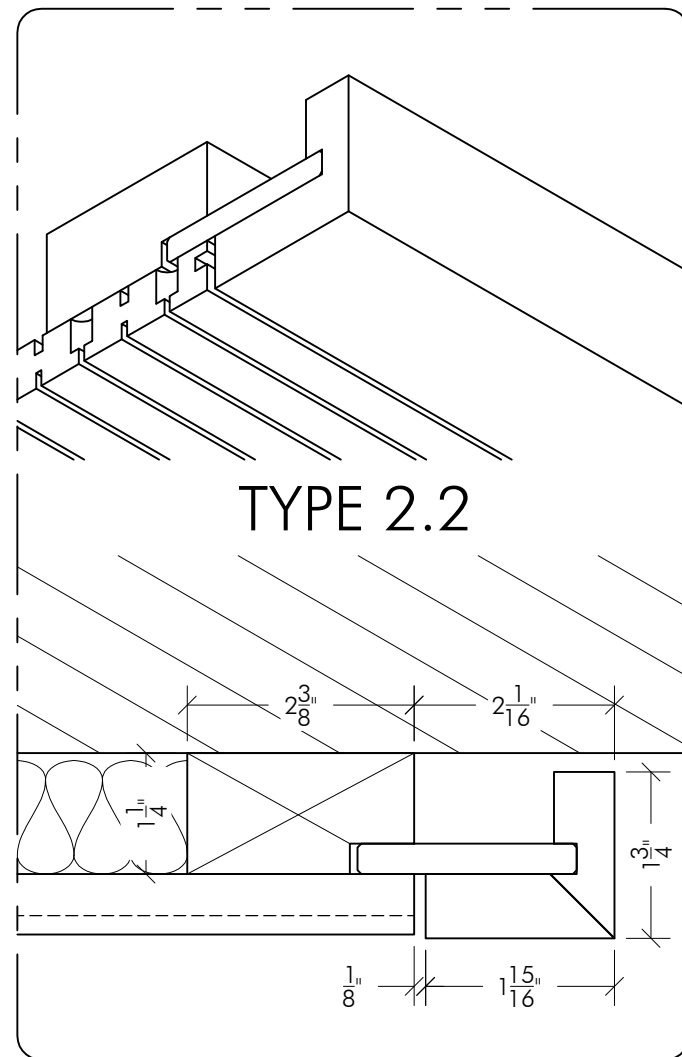
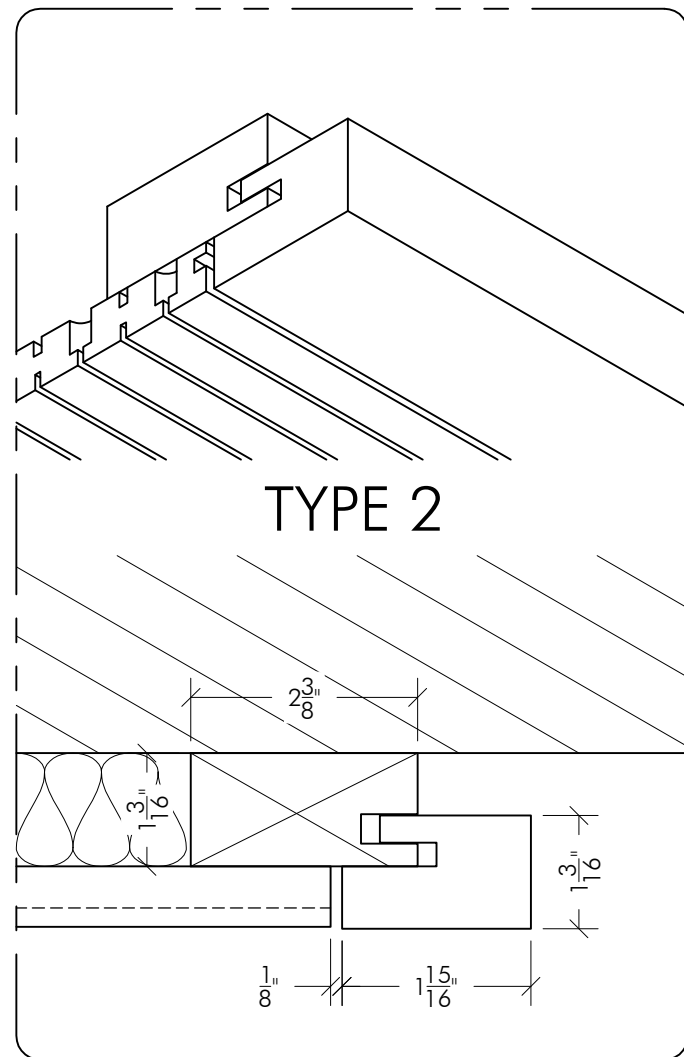
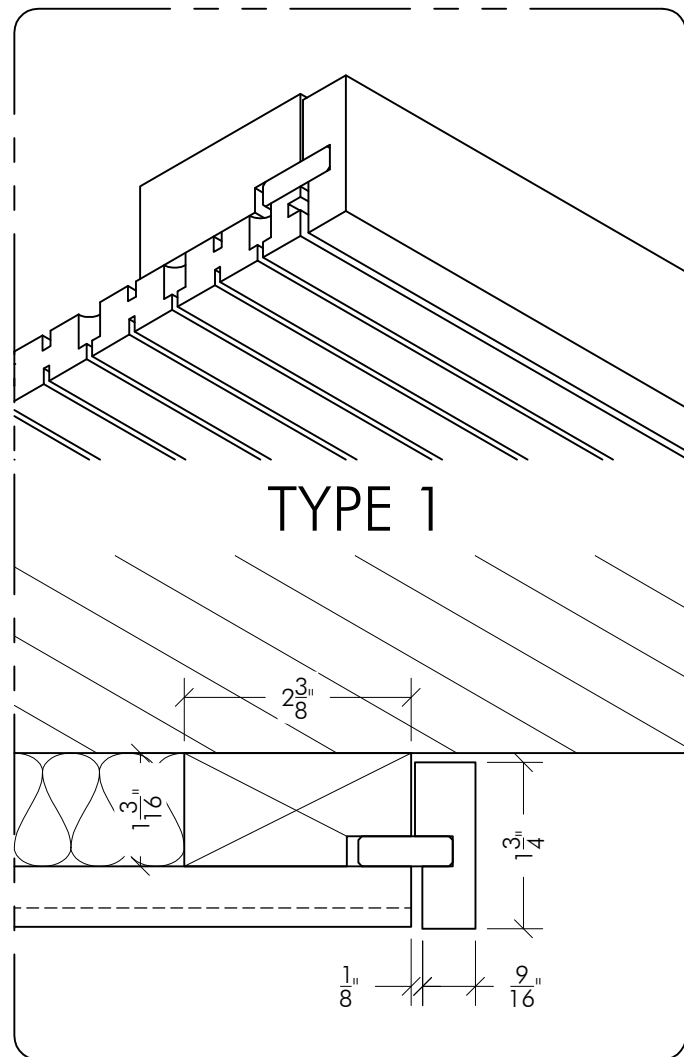


MITERED RETURN  
FACTORY ATTACHED UP TO 6"

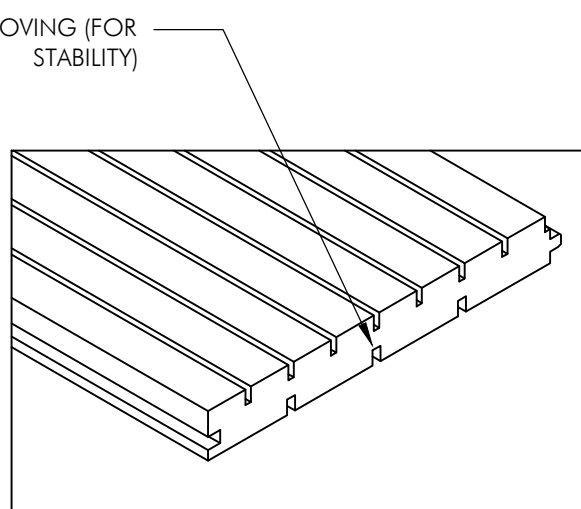


CUSTOM SHAPES

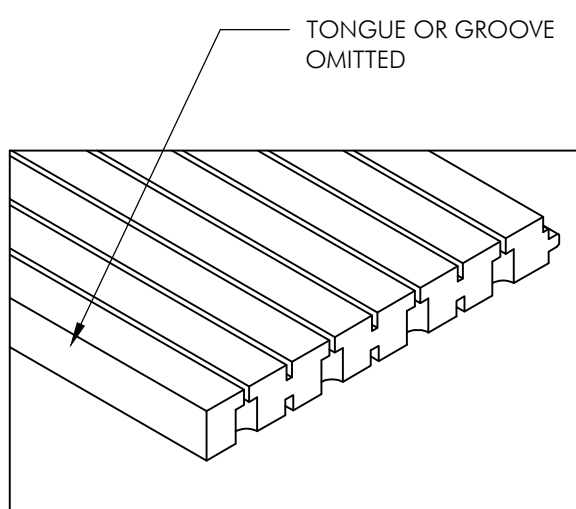
PRODUCT: TOPAKUSTIK PANELS			TOPAKUSTIK	
SHEET TITLE: PERIMETER OPTIONS			PRODUCTION TOLERANCE: 0" - 36" ±1/32", ±1/32" PER 36" OF PRODUCT	
SCALE: NTS	PAGE NO: 1/3	3 <sup>rd</sup> ANG. PROJ	DRAWN BY: WRM	REV NO: 0
			REV DATE: 04/07/2015	



PLAIN CUT



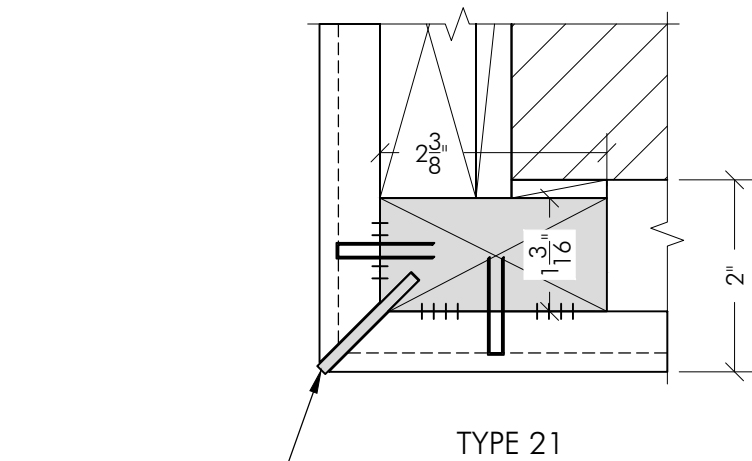
FINISHED TRANSVERSE EDGE\*  
REAR PERFORATIONS HELD BACK



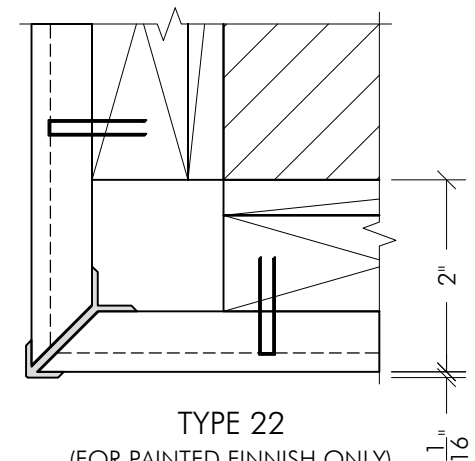
FINISHED LONGITUDINAL EDGE\*

\*AVAILABLE UPON REQUEST

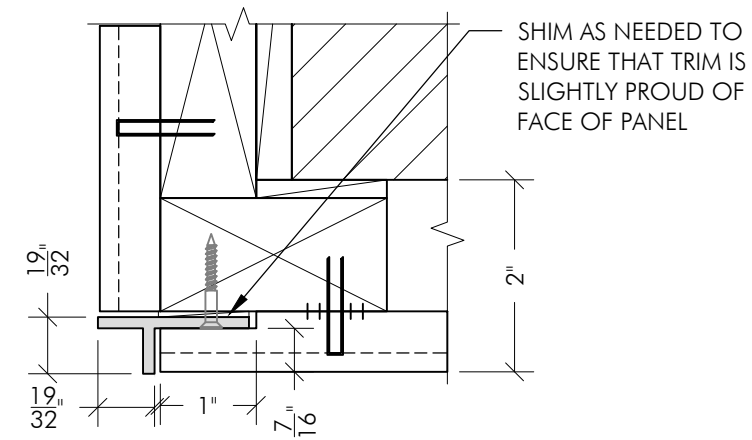
PRODUCT: <b>TOPAKUSTIK PLANKS</b>		TOPAKUSTIK	
SHEET TITLE: <b>PERIMETER OPTIONS</b>		PRODUCTION TOLERANCE: 0" - 36" ±1/32", ±1/32" PER 36" OF PRODUCT	
SCALE: NTS	PAGE NO: 2/3	3 <sup>rd</sup> ANG. PROJ.	DRAWN BY: WRM
			REV NO: 0 REV DATE: 04/07/2015



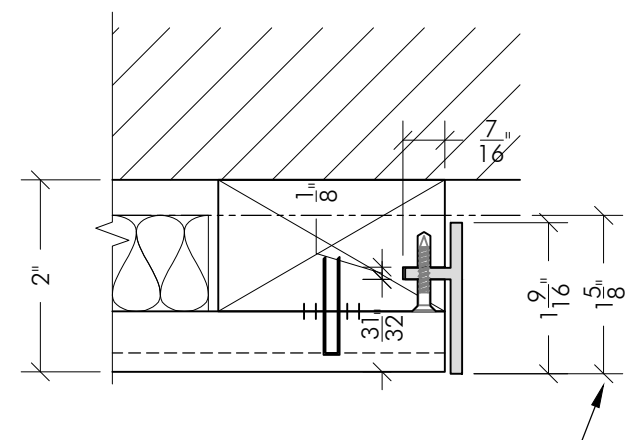
TYPE 21



TYPE 22  
(FOR PAINTED FINISH ONLY)

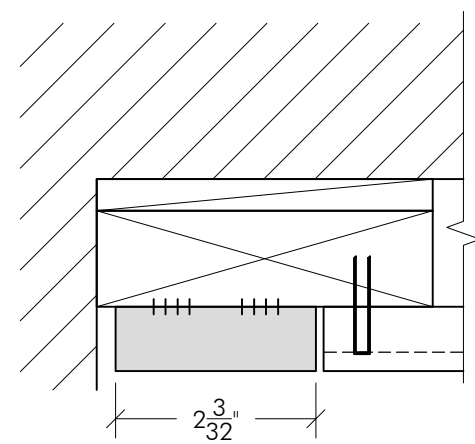
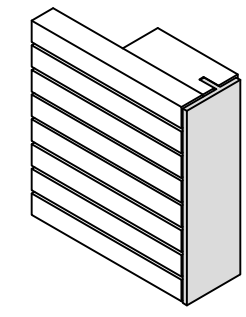
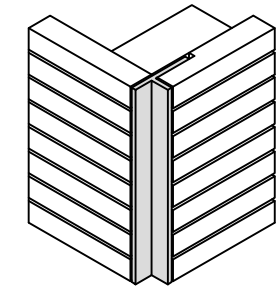
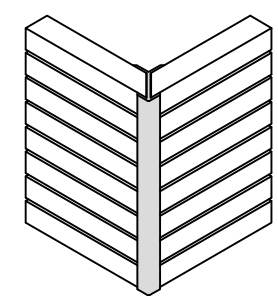
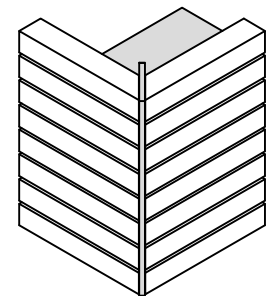


TYPE 23 CORNER

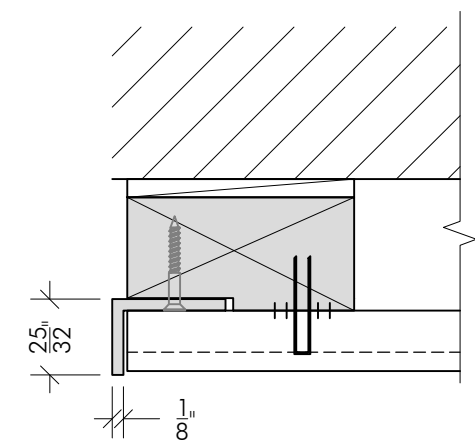
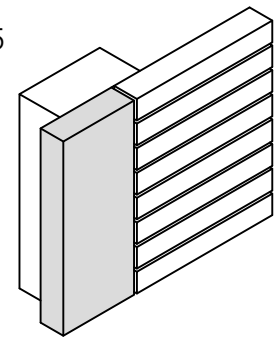


TYPE 23 END

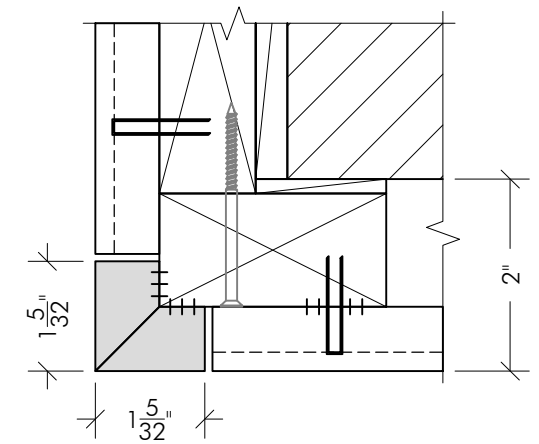
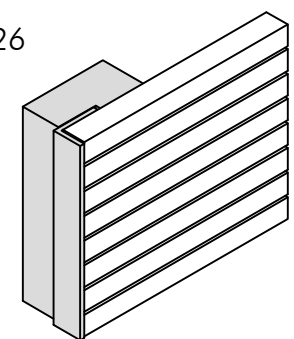
ALUM. FLAT BAR  
1/8" x 1-3/8"



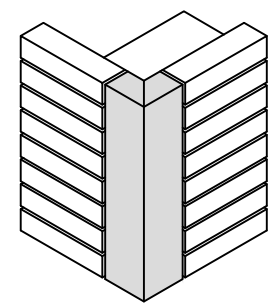
TYPE 25



TYPE 26



TYPE 27



NOTE FOR PLANKS:  
CUT MITERS AND RABBETS ONSITE

APPROPRIATE RECEIVING BLOCKING WILL BE PROVIDED FOR TRIMS THAT REQUIRE IT (21,24,26). BLOCKING DIMENSIONS ARE 2-3/8" x 1-3/16" (60x30mm) TYP.

PRODUCT: TOPAKUSTIK PLANKS/PANELS			TOPAKUSTIK	
SHEET TITLE: CORNER OPTIONS			PRODUCTION TOLERANCE: 0" - 36" ±1/32", ±1/32" PER 36" OF PRODUCT	
SCALE: 6"=1'-0"	PAGE NO: 3/3	3 <sup>rd</sup> ANG. PROJ.	DRAWN BY: WRM	REV NO: 0
			REV DATE: 05/18/2015	